

Wheel Loader

# JINGONG 737K

Tier 2



---

Operating Weight: **10,300kg**

---

Rated Load: **97kW**

---

Bucket Capacity: **1.7m<sup>3</sup>**

---

**JINGONG** 晋工

# JG737K

Wheel Loader

JINGONG 晋工

## Specifications

**Operating weight:** 10,300kg

Operating weight includes the work equipment stipulated by manufacturer, the unloaded attachments, driver (75kg), full-filled fuel tank, full-filled radiator, and all fluids (including the hydraulic oil, drive oil, engine oil, and engine coolant) added to the set level stipulated by manufacturer.

**Bucket capacity:** 1.3-2.5m<sup>3</sup>

### Engine

#### Description

Emission grade	Tier 2
Manufacturer	Cummins
Model	SO14519, 6BT5.9-C130- II
Rated engine power	97 kW /2200 RPM

### Fluid level

Fuel	180 L
Engine oil	14 L
Antifreeze	47 L
Hydraulic oil	180 L
Drive oil	38 L
Drive axle / single	40 L

### Drive axle

Type	Feicheng Yunyu 30 Axle
Swinging angle	±10°

### Drive parts

#### Description

Axis-fixed drive transmission developed by Jingong has four forward gears and two backward gears, featuring the reliable quality and high efficiency. Three-element single turbo hydraulic torque converter.

Power - train type	Drive axle Power gear-shifting
Torque converter	Single- stage Three elements
Max. traveling speed, forward	36 km/h
Max. traveling speed, backward	29 km/h
Gears, forward	4
Gears, backward	2

### Hydraulic system

#### Description

This hydraulic system is of dual-pump confluence and steering - prevailing type, featuring the high efficiency and low fuel consumption.

Hydraulic pump is of high-pressure gear pump, featuring the excellent performance and higher reliability.

Hydraulic elements are of high standard and new process type, making its system more reliable.

Work pump type	Gear pump
System pressure	16 MPa
Lifting duration	5.1 s
Unloading duration	1.4 s
Lowering duration	2.6 s
Sum of three durations	≤9.1 s
Control type	Control handle

## Brake

### Description

The service brake is of Air-against-oil caliper disc brake type and the parking brake is of cable-control type clamp brake type.

Type of service brake	Caliper disc brake
Type of service brake	Air - against - oil
Type of parking brake	Clamp type brake
Type of parking brake	Cable control

## Control

### Description

Steering system: articulated steering by steering wheel.  
System supply: full-hydraulic coaxial flow-amplification steering system, flexible and easy steering and reliable performance.  
Steering cylinder: two action cylinders.

Steering type	Steering wheel
Steering pressure	12 MPa
Number of cylinders	2
Diameter of cylinder bore	80 mm
Diameter of piston rod	45 mm
Travel of cylinder	362 mm
Working pump	100 mL/r
Steering angle	±35°
Min. steering (outside of tire)	5516 mm

## Cab

### Description

Brand-new designed cab is equipped with high-end, luxury seat, adjustable steering gear, finger-controlled gear-shifting switch and pilot control;  
spacious panoramic cab is resistant to dust, shock or noise, make the driver safer and more comfortable to control.  
Trim being of composite material; cab is equipped with sunvisor and wire-coiled carpet with elegant appearance.  
Cab is equipped with four-point elastic suspension, absorbing shock in dual way.  
Rear hood has beautiful modeling, with its side door and rear window able to open, featuring easy maintenance.

## Noise & Air conditioner

Cab noise In line with ISO 6396-2008 / EN ISO 3744-1995	83 dB(A)-- Travel mode
Cab noise In line with ISO 6396-2008 / EN ISO 3744-1995	84 dB(A)--Stationary work cycle mode
Outdoor noise In line with ISO 6395-2008	110 dB(A)--Travel mode
Outdoor noise In line with ISO 6395-2008	111 dB(A)--Stationary work cycle mode
Heating capacity of A/C	5 kW (7.8 hp)
Refrigerating capacity of A/C	4.7 kW (8 hp)

## Electronic system

### Description

GPS (Global Positioning System)  
Brand-new intelligent instrument system is able to monitor the real-time work conditions of complete vehicle.  
Updated smart control system with independent intellectual property has the remote diagnosis system which could provide the fast and accurate solution to customer in case of failure  
Reversing alarm could make the driving safer.

Voltage	24 V
Battery	2 x 12 V
Battery capacity	2 x 120 Ah
Capacity of cold startup	850 A
Reserve capacity	230 min
Grade of AC generator	1960 W / 70 A
Output of starter motor	7.5 kW

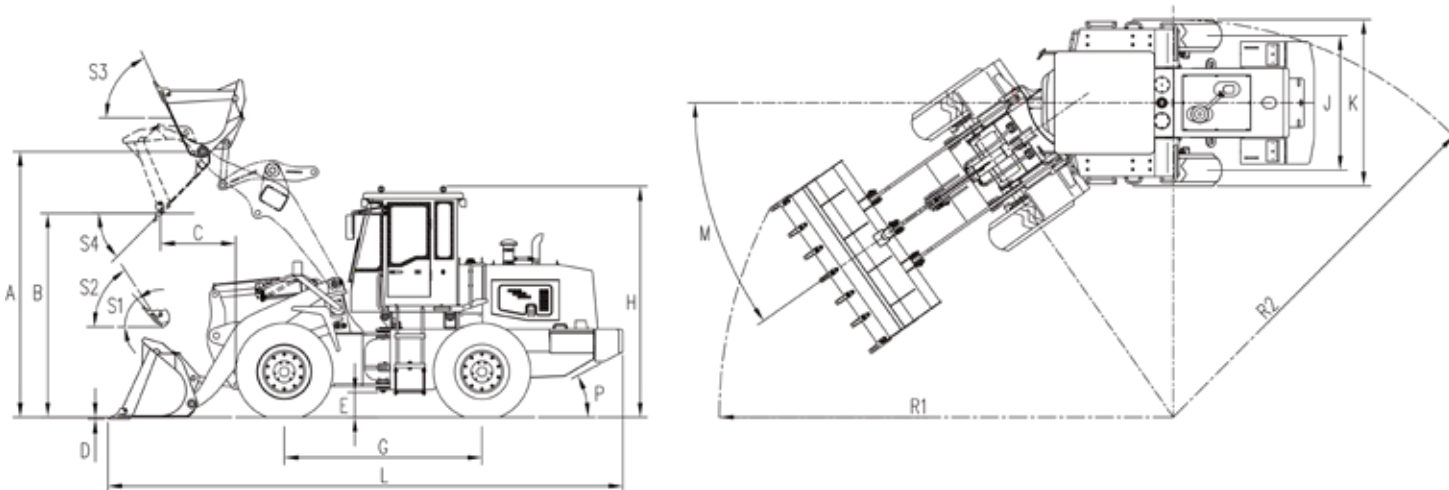
## Performance parameters

### Description

Tilting load is calculated at the condition with bucket capacity at 1.7 m <sup>3</sup> and operating weight at 10300kg.	
Tipping load-straight according to ISO 14397-1:2007	8600 kg
Tipping load-full turn according to ISO 14397-1:2007	7377 kg
Breakout force	>100 kN
A Pivot height at max. lifting height	3683 mm
B Unloading height	2850 mm
C Unloading height at max. lifting height	1000 mm
D Digging depth	35 mm
S1 Max. bucket-withdrawing angle on the ground	45°
S2 Max. bucket-withdrawing angle at transporting position	48°
S3 Max. bucket-withdrawing angle at max. lifting height	65°
S4 Unloading angle	46°

## Dimensions

E Ground clearance	360 mm
G Wheelbase	2750 mm
H Cab height	3200 mm
J Wheel track	1865 mm
K Outside width of tire	2310 mm
L Overall length (with the attachments)	7040 mm
M Steering angle, at any side	35°
P Departure angle	32°
R1 Min. turning radius with bucket at transporting position	6040 mm
R2 Turning radius, at outside of tire	5516mm



## Tire

Proper tires for your machine will become the key competitive edge of excellent performance. Through closely and jointly development and cooperation with well-known supplier which is carefully selected, Jingong could provide the full-series tires specially customized for wheeled loader.

Size	Application	Mode	Dimensions	PR/*	Tube type	Width	Overall diameter	Loading capacity, 50km/h/10km/h
L2	<ul style="list-style-type: none"> <li>At site with good traction</li> <li>For example, on slope with smooth gradeability</li> <li>Work at soft and muddy site without sharp rocks.</li> <li>In all loading/transporting conditions</li> </ul>		17.5-25	8	TL	445mm	1,350mm	2800/4750kg
			17.5-25	12	TL	445mm	1,350mm	3650/6150kg
L3	<ul style="list-style-type: none"> <li>Work in sandy conditions</li> <li>In all types of loading/carrying operations</li> <li>Unlike L2, L3 tread is narrow and less self-cleaning effect.</li> </ul>		17.5-25	16	TL	445mm	1,350mm	4250/7300kg
			17.5-25	20	TL	445mm	1,350mm	5000/8250kg
			17.5R25	*	TL	445mm	1,350mm	4125/7100kg
			17.5R25	**	TL	445mm	1,350mm	5450/8500kg

Note: radial tire has its load-bearing capacity represented with stars \*. The more stars means the radial tire has more load-bearing capacity. The special radial tire dimensions listed in table 2 starts (\*\*) means the max. load-bearing capacity of radial tire.

## Parameters of work equipments

Item	Rock bucket	Coal bucket	High-position unloading			Unit
			Regular bucket	Coal bucket	Enlarged bucket	
Bucket capacity	1.3	2	1.7	2	2.5	m <sup>3</sup>
Rated load	3000	3000	3000	3000	3000	kg
Complete vehicle weight	10250	10320	10400	10440	10520	kg
Unloading height	2900	2775	3200	3125	3090	mm
Unloading distance	1010	1070	1080	1150	1400	mm
Overall length	6795	7150	7440	7550	7600	mm
Min. steering radius (edge of bucket)	5900	6080	6220	6260	6320	mm

The product structures and parameters may alter with the technology updating, without any notice in advance. If sample differs from the actual product, the latter prevails.

# Standard configurations

## Engine

Cummins:SO14519, 6BT5.9-C130- II , Tier 2  
Engine output power 97KW

## Drive

Shantui Axis-fixed drive transmission  
Startup function, forward four gears, neutral gear and backward two gears  
Transmission oil level detector  
Secondary oil filter, oil bar  
Remote pressure switch for diagnosis

## Drive axle

Feicheng Yunyu 30 Axle  
Air-against-oil brake system  
Auxiliary parking brake

## Hydraulic system

Cable control (Mechanical control)

## Steering system

Full-hydraulic coaxial flow-amplification steering system and steering – prevailing

## Tire

17.5-25 / L3 diagonal tire  
Regular mudguard

## Frame assembly

Spacious intermediate articulation  
Joint bearing  
Articulated locking lever  
Draw bar

## Electrical system

Two headlights, low beam/ high beam  
On the top of cab, there are two headlights.  
Battery, maintenance-free  
24 V power socket  
Electric horn  
Wiper of windshield  
Radio / player with USB port  
Reversing warning lamp

## Instrument

Engine coolant temperature  
Transmission oil temperature  
Fuel level meter  
Timer  
Voltage  
Brake pressure  
Charging of battery  
Steering lamp  
Transmission oil pressure alarm  
High-beam indicator

## Cab

Seat  
Dual-direction adjustable steering column  
Large- arc window  
Rubber cushion  
Two sides of rearview mirror  
Heater  
One cup holder  
Sunvisor

## Others

On-board tools and attachments

# Optional configurations

## Engine

Cold startup device  
Oil-bathed dual-layer air filter

## Hydraulic system

Pilot controls (Joystick control)

## Axles and tires

Check the front tire specifications  
Tire protective chains

## Cab

Luxury seat

## Electrical system

Single cold type / heating/cooling A/C

## Attachments

Timber - holding type, grass-holding type

## Others

Automatic central lubrication  
Automatic weighing device  
Sub blade

# WIN WITH RELIABILITY



子江集团 • 福建晋工机械有限公司  
Fujian Jingong Machinery Co., Ltd.

地址: 中国福建省晋江市安海前埔工业区  
ADD: Anhai Qianpu Industrial Zone, Jinjiang City Fujian Province China  
服务电话/Service Phone: 400-0922-789  
邮编/Postcode: 362261

网址/Website: [www.jingong-china.com.cn](http://www.jingong-china.com.cn)  
邮箱/E-mail: [overseas@china-jingong.com](mailto:overseas@china-jingong.com)

The contents and specifications of this brochure are subject to change without prior notice.  
The pictures in this brochure may differ from the actual machines sold.