

Wheel Loader

JG7857K

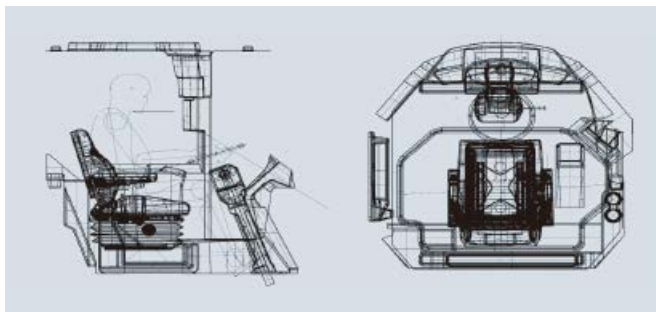
Tier 2



JIN'ONG 晋工

取 胜 源 于 可 靠
WIN WITH RELIABILITY

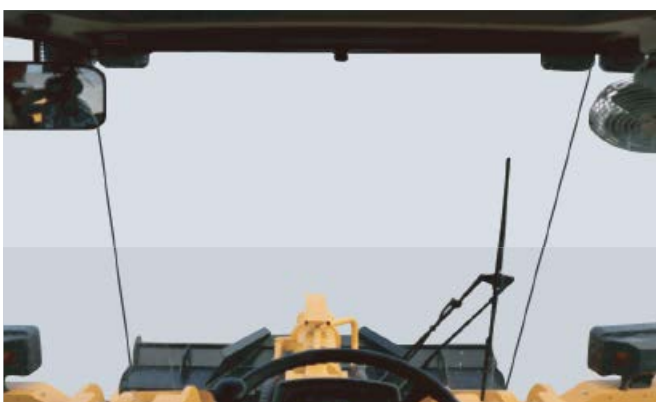
Luxury cab with brandnew appearance



Through the man-machine engineering simulation design, the operating parts such as the operating handle, steering column, and switch keys commonly used by drivers are mainly considered to improve the comfort and convenience of operation.



Widened cab door without threshold makes it easier to clean up sundries in cab; With handrails on both sides, it is convenient for operators to get in and out of the cab.



The front hyperboloid tempered glass with panoramic view, the right window is equipped with a glass frame that can be pulled up and down, enlarged inside and outside rearview mirror, freely adjust the sun shade and standard equipped with AC, to provide a wider and more comfortable operating environment and vision for the driver.

Front decices with front and rear wiper, radio, dual USB charging seat, cup holder, emergency hammer, fire extinguisher, etc.

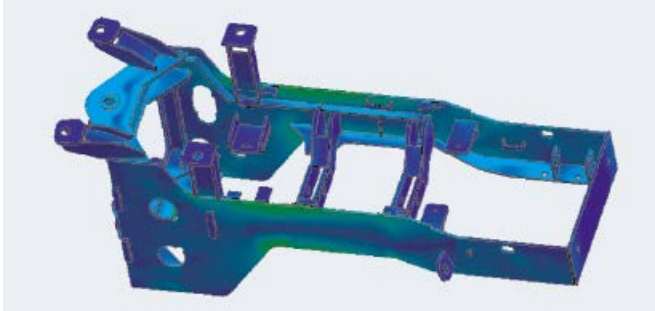


Adjustable seat with front/rear adjustable directional posts are suitable for various body types of operation, can adjust to a comfortable operation state.



"Micro-pressurization" cab can effectively isolate dust and reduce noise by increasing the overall rigidity of the cab, improving the sealing performance. Using sound-absorbing material have optimizing the characteristics of shock absorbers.

Extended wheelbase heavy duty condition



The wheelbase extended to 3300mm, and the rear suspension distance is increased. The front and rear axle load distribution are more reasonable and stability. The reliability of the frame is greatly improved through finite element simulation analysis.

New bucket



The new bucket with enlarged side plates which make the structure more firm and reliable, and more convenient to load; The heightened rear plate can prevent spillage of materials during hopper collection; The adjustable bucket limit ensures that both sides of the bucket limit block and the boom plate are close tight during withdraw bucket, thus shortening the cycle time; ear-resistant gaskets are added to each pin shaft of the working device to reduce shaking.

Transmit system



The steering limit is pre-limited by rubber, which makes the limit more stable.

Jingong heavy duty axles



Use new upgraded heavy-duty drive axle with four planetary wheels has high structural strength, large bearing capacity, long service life and high reliability.

Filter



The transmission adopts a new type of high-precision and large-flow Filter, which is easy to remove and replace the Filter element and more convenient for maintenance.

Brake system



The air pressure source manager has large filtering area, good drying effect and convenient maintenance.

Hydraulic pipeline



The centering arrangement of the rubber hose reduces the connection between the rubber hose and the steel pipe, more easy to maintenance and reduces the failure rate.

The rubber hose is sealed with pressure plate and O-ring, which is more easy to install and adjust, reduces the leakage of hydraulic system.

Electrical system



The combination instrument includes five analog instruments, plurality of colorful indicator lights and LCD screen. Through this intuitive system, the operator can monitor whether the system is working properly.

The electrical components (fuses, relays) are centralized in the central electrical control box, which is easy for repair and maintenance.

New rear hood counterweight



The newly designed rear hood with high structural strength, stronger and more beautiful. Left and right side doors and rear windows can be opened.

Newly upgraded cooling mede



Use single-layer parallel design, The radiator of the water tank and the oil radiator of the torque converter are air cooling, and the hydraulic oil radiator is water cooling.

Hydraulic oil radiate separated with the torque converter oil radiate thus eliminating the problem of oil channeling from the root.

Optimized the structure of radiator, which is more easy cleaning and maintenance.



Specifications

Operating weight: 17,800kg

Operating weight includes the common used configuration work devices stipulated by manufacturer, the unloaded attachments, driver's weight (75kg), full-filled fuel tank, and other fluids system (including the hydraulic oil, transmission oil, engine oil, and engine coolant) are filled to the level specified by the manufacturer.

Bucket capacity: 2.4-4.5m³

Engine

Description

Using CUMMINS T2 low speed engine, high torque at low rpm, more powerful, lower fuel consumption; Standard equipped with 93 dust rate, enabling the four matching parts to drop their rate of early wear by 90% or higher; Intake heater grille effectively solve the difficulty to start up at low temperature; Hyperboloid fan makes the heat dissipation more effective and the noise lower.

Emission grade	Tier 2
Manufacturer	Cummins
Model	6CTA8.3-C215
Total power of engine (SAE J1995 / ISO 14396)	162kW(220hp) @2000rpm
Max. torque	890 N·m
Displacement	9.726L
Number of cylinders	6
Intake type	Turbocharging

Drive Axle

Type	50 E drive axle
Swing angle	±10°

Oil level

Fuel	280 L
Engine oil	20 L
Antifreeze	60 L
Hydraulic Oil	260 L
Transmission oil	47 L
Drive Axle/ single	30 L

Driving Element

Description

JINGONG Advanced Auto Transmission

Power-train type	Transmission shaft Power gear shift, Automatic gear shift
Torque converter	Single-stage Four-element
Max. traveling speed (Forward)	38 km/h
Number of gear shift (Forward)	4
Number of gear shift (Backward)	3

Operation Hydraulic System

Description

This hydraulic system is of dual-pump confluence and steering - prevail ing type, featuring the high efficiency and low fuel consumption; Hydraulic pump is of high-pressure gear pump, featuring the excellent performance and higher reliability; Hydraulic elements are of high standard and new process type, making its system more reliable; The centering arrangement of the rubber hose reduces the connection between the rubber hose and the steel pipe, more easy to maintenance and reduces the failure rate.

Working pump type	Gear pump
System pressure	18 MPa
Lifting time	5.5 s
Unloading time	1 s
Lowering time	3.3 s
Total cycling time	9.8 s
Control type	Joystick Operation

Cab

Description

Design: Newly designed cab is equipped with high-grade and luxury seats, adjustable steering machine, flexible shaft control and pilot control. **Cab:** spacious, panorama, dust-free, shock-absorbing; noise-reduction, which improving the comfort and safety of driver operation; **Door opening angle:** The door is opened forward, the width of the entrance and exit is increased 20%, and there is no threshold design, which is more convenient for drivers to go in and out; **Shock absorption:** Cab is used with four-point elastic suspension, absorbing shock in dual way. By increasing the rigidity of the cab, improving the tightness, optimizing the characteristics of shock absorbers and applying sound-absorbing materials, drop the noise and make driver feel more comfortable.

Interior decoration: It adopts the color combination of lower depth and upper light to create a clean and comfortable cab space for drivers with high-intensity operation; **The adjustable seat:** Adjustable seat armrest and front and rear adjustable directional posts are suitable for operators of all sizes to adjust to a comfortable operating state; **Cab:** Equipped with car mirrors, sunshade curtains, fans, cigarette lighters, cup holders, wire ring pads, radios, hand rests, safety belts, safety hammers, fire extinguishers and other comfortable and safe configurations.

The rear hood: Has a beautiful shape, the hood framework is formed by bending and welding profiles, with high structural strength; Each sealing plate is connected with the framework by bolts. If there is a fault, more easy and convenient to replace. At the same time, after the enlarged side door of the hood, there is more space for maintenance.

The air conditioner has defrosting function, the direction of the main air outlet can be adjusted, large air output, and quick refrigeration. The evaporator assembly is installed on the side, which easy for installation and maintenance.

Steering hydraulic system

Description

Steering system: steering wheel hinged-type steering.

System supply: full-hydraulic coaxial flow-amplification steering system, flexible and easy steering and reliable performance.

Steering cylinder: two action cylinders

The steering limit is pre-limited by rubber, which makes the limit more stable.

Steering type	Steering wheel
Steering pressure	16MPa
Number of cylinders	2
Steering angle	±35°
Min. steering (outside of tire)	6543mm

Braking system

Description

The service brake is of air-against-oil caliper disc brake type;

The parking brake is flexible shaft controlled (Mechanical control) clamp-type brake.

Type of service brake	Clamp disc brake
Mode of service brake	Air-against-oil
Type of parking brake	Type of parking brake
Mode of parking brake	Flexible shaft controlled (Mechanical control)

Electronic system

Description

The electrical system adopts centralized control. Which is easy for fault maintenance and repair.

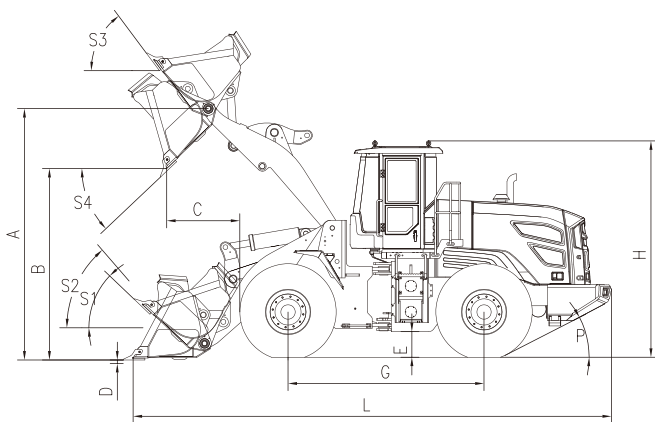
Brand-new intelligent instrument system, the display device adopts the combination instrument of step-motor pointer meter and liquid crystal display screen. The rocker switch and the combination switch are placed in different areas of the cab according to ergonomics.

Voltage	24 V
Battery	2 x 12 V
Battery capacity	2 x 120 Ah

Performance parameters

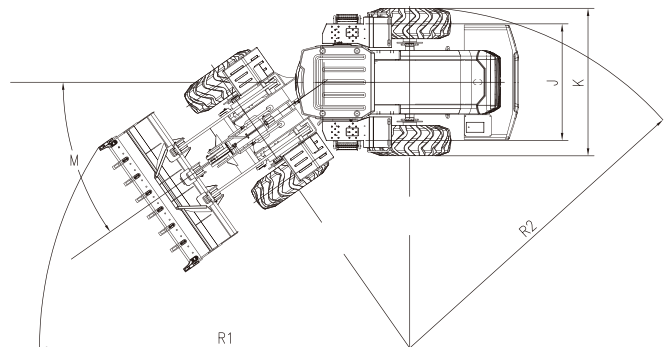
Description

Traction Force	≥160 kN
Digging force	≥170 kN
A Pin shaft height at maximum lifting	4160 mm
B Unloading height	3100 mm
C Unloading distance at max. lifting height	1220 mm
D Digging depth	35 mm
S1 Max. bucket-withdrawing angle on the ground	45°
S2 Max. bucket-withdraw angle at transporting position	48°
S3 Max. bucket-withdraw angle at max. lifting height	53°
S4 Unloading angle	45°



Dimensions

E Ground Clearance	408 mm
G Wheelbase	3,300 mm
H Cab height	3,540 mm
J Wheel track	2,290 mm
K Outside width of tire	2,850 mm
L Overall length (with the attachments)	8,100 mm
M Steering angle (at any side)	35°
P Departure angle	30°
R1 Min. turning radius with bucket at transporting position	7,270 mm
R2 Turning radius, at outside of tire	6,543mm



Parameters of deformation working device

Item	Rock bucket	Coal bucket	Heavy duty Side dump bucket	High dump			Unit
				Regular bucket	Coal bucket	Enlarged bucket	
Bucket capacity	2.7	3.6	2.4	3.0	3.6	4.5	m ³
Rated Load	5500	5500	4500	5500	5500	5000	kg
Overall weight	18000	18050	20400	18400	18750	19300	kg
Unloading height	3220	3020	2900	3520	3400	3300	mm
Unloading distance	1190	1380	1660	1430	1550	1600	mm
Overall length	8100	8340	9150	8450	8880	8950	mm
Min. turning radius (outer edge of bucket)	7250	7470	8290	7450	8000	8090	mm

The product structures and parameters may alter with the technology updating, without any notice in advance. If sample differs from the actual product, the latter prevails.

Standard configurations

Engine

CUMMINS T2 Engine Engine output power 162KW (220 hp), six cylinders water cooling and four stroke

Pre-filtration of oil-water separator

Fuel filter

Direct-drive fan

Drive

JINGONG Advanced Auto Transmission

Startup function, forward 4 gear shifts, neutral gear shift and backward 3 gear shift

Transmission oil level detector

Instrument

Rotation speed

Engine coolant temperature

Transmission oil temperature

Fuel level meter

Timer

Voltage

Brake pressure

Charging of battery

Steering lamp

Transmission oil pressure alarm

High-beam indicator

Cab

Seat

Dual-direction adjustable steering column

Large arc front glass with liftable glass on

Rubber cushion

Two sides of rearview mirror

Cup holder

Fan

Abat vent

Emergency hammer

Fire Extinguisher

Coat hook

Dust-proof foot mat

Electrical system

Two headlamps, low beam/ high beam lamps, cornering lamp

LED front and rear working lights

Double USB charging stand

Two-tone electric horn

Front wiper (with washing pot)

Radio

Reversing warning light

Heating and cooling air conditioner

Hydraulic system

flexible shaft control (Mechanical control)

Dual-pump confluence hydraulic system

steering system

Full-hydraulic coaxial flow-amplification steering system and steering – prevailing

Frame assembly

Spacious central articulation arrangement with conic bearing

Articulated locking lever

Draw bar

Drive axle

Jingong self-made heavy duty 50E type drive axle

Air-against-oil brake system

Tire

23.5-25 -18PR

Regular fender

Others

On-board tools and attachments

Optional configurations

Engine

Cold startup device

Oil-bathed dual-layer air filter

Cab

Luxury seat

(ROPS&FOPS)Protective devices

Hydraulic system

Pilot control

Axles and tires

Tire protective chains

Gearbox

AT gearbox

Electrical device

Rotating beacon

Reversing camera

Rear window wiper

Accessories

Wood/ grass grapple fork

Side dump device, mineral/ metal

Others

Automatic central lubrication

Sub-cutting edge



地址: 中国福建省晋江市安海前埔工业区
ADD: Anhai Qianpu Industrial Zone, Jinjiang City Fujian Province China
服务电话/Service Phone: 400-0922-789
邮编/Postcode: 362261
网址/Website: <http://www.china-jingong.com>
邮箱/E-mail: jingong@china-jingong.com

子江集团·福建晋工机械有限公司
Fujian Jingong Machinery Co., Ltd.

JINGONG 晋工

版本号20221025